

New product

# TQ one

Tourz TQ one is a groundbreaking PAR light with a 120W RGBL hybrid light source, delivering rich colors and smooth mixing. CCS technology ensures CRI>85 for realistic color reproduction and uniform brightness. With versatile accessories, it forms seamless arrays and supports large-scale grouping via standard protocols. Ideal for TV studios, film production and theaters requiring high light quality.



## PRODUCT PARAMETERS

### Optical system

Light source  
120W RGBL

Angle  
15°

Illuminance  
1298lux @5m, 15°

### Appearance

Size  
188x130x253mm

Weight  
2.4KG

Casing  
Magnalium and Die-cast

Color  
Black

### Electrical Specs

Voltage  
100-240VAC, 50/60Hz

Max. Power  
120W

Power Connection  
power input and output

Signal socket  
DMX in and out

### Control System

Dimmer  
0-100% 24 Bit

Cooling  
Forced Convection

Control  
DMX512, RDM

Display  
On board Control, Custom Mode, 0-25Hz Strobe

### Work Environment

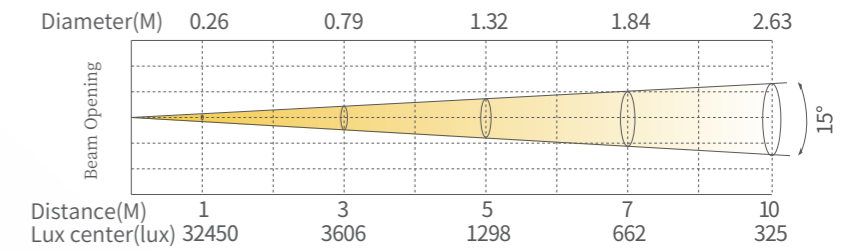
Ambient Temp  
-20°C-45°C

IP Rated  
IP66

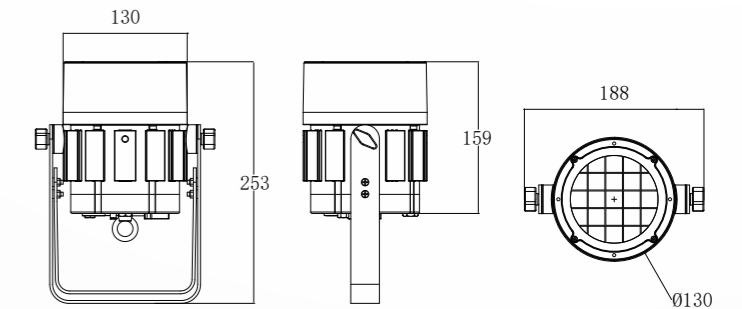
### Certification

CE, MET

## ILLUMINANCE AT DISTANCE



## DIMENSIONS



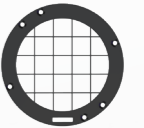
## ACCESSORIES



BOWENS MOUNT



BARN DOORS



PROTECTIVE GRILL



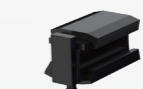
DOME SOFTBOX



GLOBE SOFTBOX



HONEYCOMB GRID



SNAP-ON CONNECTION KIT



SNAP-ON CLAMP KIT