

New product

# TX one

Tourz TX one is a modular PAR light designed for flexible creativity. Its modular design allows quick matrix assembly, breaking fixed configurations. It features 15-45° fast zoom, soft beam, 1800-2700K tungsten-style dimming, and works with various accessories for precise effects. Lightweight and IP66-rated for all-weather use, it delivers high-impact lighting for live events with superior modular flexibility.



## PRODUCT PARAMETERS

### Optical system

Light source  
120W RGBL

Angle  
15°-45°

Illuminance  
1298lux @5m, 15°

### Appearance

Size  
188x130x253mm

Weight  
2.4KG

Casing  
Magnalium and Die-cast

Color  
Black

### Electrical Specs

Voltage  
100-240VAC, 50/60Hz

Max. Power  
120W

Power Connection  
power input and output

Signal socket  
DMX in and out

### Control System

Dimmer  
0-100% 24 Bit

Cooling  
Forced Convection

Control  
DMX512, RDM

Display  
On board Control, Custom Mode, 0-25Hz Strobe

### Work Environment

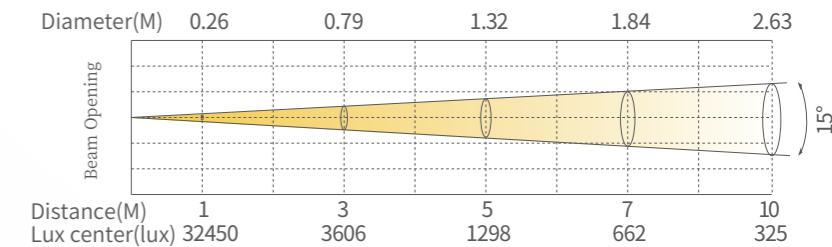
Ambient Temp  
-20°C-45°C

IP Rated  
IP66

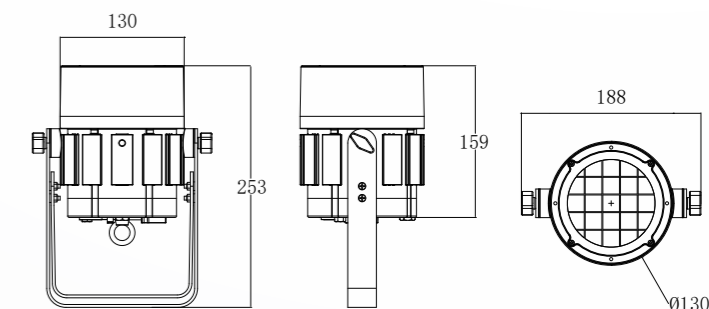
### Certification

CE, MET

## ILLUMINANCE AT DISTANCE



## DIMENSIONS



## ACCESSORIES



SNAP-ON CONNECTION KIT



SNAP-ON CLAMP KIT