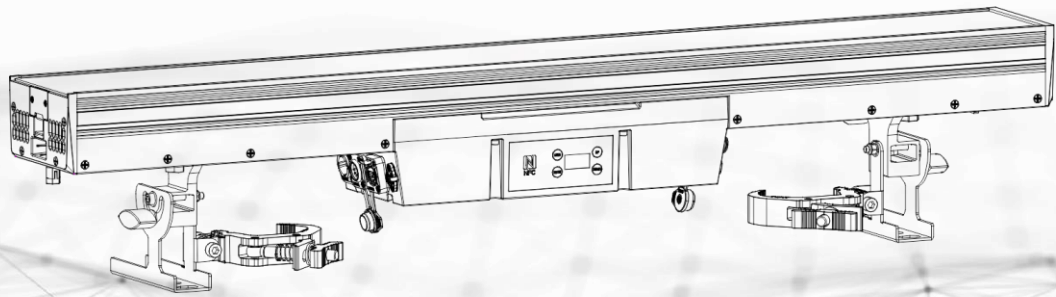


图纸编码	RD-1053-SM-001(SS-I)			版本号	B
TS3 英文说明书				编辑日期	2026/5/15
制作	刘丽萍	审核	白丹	批准	余泽松
物料编码	1320110145				
修改内容	更换封面				
备注	以 A4 样本打印				



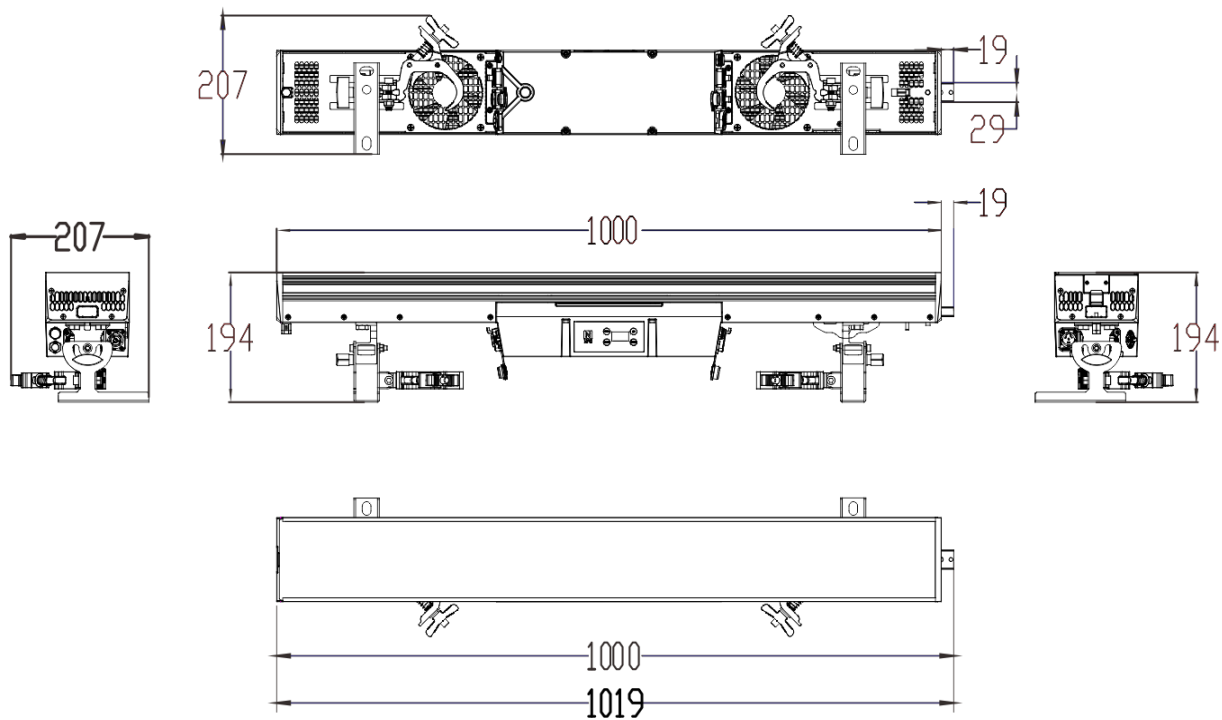
TS3

1 PRODUCT

1.1 TECHNICAL SPECIFICATIONS

Type	TS3
LED colors	RGB*576pcs,WW*288pcs, CW*288pcs
Power	1000W(strobe)
Voltage Range	100-240V~,50/60Hz
Protection	IP66
Operation Temperature	-20°C~45°C
Dimensions	1000x207x194mm
Weight	9.7kg

Dimensions



1.2 Safety Notes

IMPORTANT

- This product must be installed by a qualified professional.
- In order to maintain this condition and to ensure a safe operation, it is absolutely necessary for the user to follow the safety instructions and warning notes
- The manufacturer will not accept liability for any resulting damages caused by the non-observance of this manual or any unauthorized modification to the device.

CAUTION!

- Make sure that the available voltage is not higher than stated on the rear panel.
- Do not touch the power cables if your hands are wet.
- The earth wire must always be connected to the ground. Therefore it is essential to connect the yellow/green conductor to earth.
- Make sure that the power-cord is never crimped or damaged by sharp edges. Check the device and the power-cord from time to time. The electric connection, repairs and servicing must be carried out by a qualified employee.
- Always disconnect power input cable to completely remove power from unit when not in use or before cleaning or servicing the fixture.
- Do not switch the fixture on and off in short intervals as this would reduce the lamp's life.
- Do not touch the device's housing bare hands during its operation (housing becomes hot)! The surface of the product's casing can reach up to 70° C (158° F) during operation. Avoid contact by persons and materials. Do not install the product in a location where there is a risk of accidental contact. Allow the product to cool for at least 10 minutes before handling.
- For replacement use lamps and fuses of same type and rating only.
- Please protect the fixture and avoid destroy during transport and installation. If there is any damage to the coating, the shell may be corroded.
- When hanging lamps and lanterns, it is necessary to verify that facilities and hooks can bear at least 10 times the weight of lamps and lanterns.
- Fix the safety rope at the correct holes only. Only operate the fixture after having checked that the housing is firmly closed and all screws are tightly fastened.
- The maximum ambient temperature 45°C must never be exceeded. Do not operate the product if the ambient temperature (Ta) exceeds 45° C (115° F).

Electrical Warning

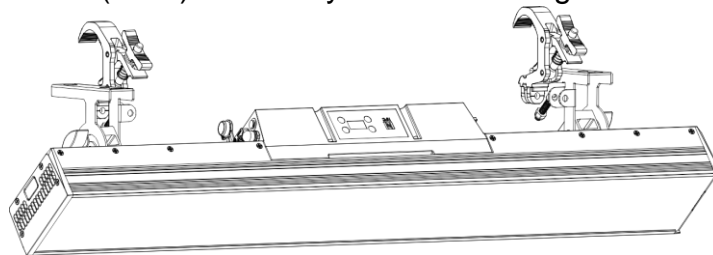
- The light source contained in this luminaire shall only be replaced by the manufacturer or his service agent or a similar qualified person

2 INSTALLATION

2.1 MOUNTING

UPRIGHT

- ◆ For overhead use, always install a safety cable that can hold at least 10 times the weight of the fixture.
- ◆ For overhead installation, the fixture must be always secured with a safety wire that can bear at least 10 times the weight of the fixture; Secure the fixture with a safety cable through the rear safety eye as shown.
- ◆ Ensure that the structure (truss) to which you are attaching the fixture is secure



Hanging layout

2.2 POWER CONNECTIONS

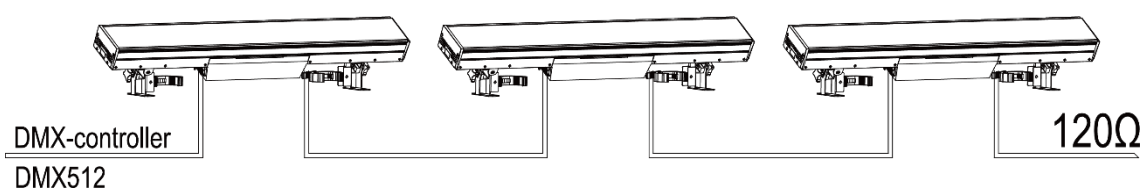
- ◆ POWER Linking: 1 units@110V; 2 units@220V.
- ◆ This product has an auto-ranging power supply that can work with an input voltage range of 100–240 VAC, 50/60 Hz.

AC Plug

Connection	Wire (U.S.)	Wire(Europe)	Screw Color
AC Live	Black	Brown	Yellow/Brass
AC Neutral	White	Blue	Silver
AC Ground	Green/Yellow	Green/Yellow	Green

2.3 Data network requirements

- ◆ Connect the DMX512 controller to the units in series. A DMX 512 data link is required in order to control the fixture via DMX. The fixture has 3/5-pin XLR connectors for DMX data input and output.
- ◆ Each unit has N DMX channels so the DMX Addresses should increase by increments of 1, (Nx1)+1, (Nx2)+1, (Nx3)+1...
- ◆ Any DMX address in the range from 001 to 512 may be used.



3 FUNCTIONS AND SETTINGS

3.1 DISPLAY OPERATION

- ◆ MENU: Used to access the menu or to return a previous menu option;
- ◆ ENTER: Used to select and store the current menu or confirm the current function value or option within a menu;
- ◆ UP: Navigates downwards through the menu list and increases the numeric value when in a function;
- ◆ DOWN: Navigates upwards through the menu list and decreases the numeric value when in a function;

3.2 Menu Map

STATIC	DIMMER	0-255	Color Selection	
	RED	0-255		
	GREEN	0-255		
	BLUE	0-255		
	WHITE	0-255		
	COOL	0-255		
	CCT		1800K	Color temperature select
			2200K	
			2700K	
			3000K	
			3200K	
			4000K	
			4500K	
			5000K	
			5600K	
			6000K	
			6500K	
			7000K	
			8000K	
			10000K	
PRESET COLOR		COLOR 1	Preset color (See Annex I for details)	
		COLOR 2		
		...		
		COLOR 24		
STROBE	0-25	Strobe 0-25Hz select		
FROST	0-255	Electronic atomization angle adjustment		
ADDRESS	001-512 (default 001)		Set the DMX address	
RUN MODE	DMX512 (default)		DMX512	
	ARTNET		ARTNET	
	ARTNET TO DMX		ARTNET toDMX512	

	SACN			sACN		
	SLAVE			Accept signals sent by the host		
PERSONALITY	SSP			Use the menu to select desired channel mode		
	TOUR (default)					
	PIXEL 1					
	PIXEL 2					
	PIXEL 1 FULL					
PIXEL 2 FULL						
SETTING	****	RESET	****	RESET	Restore factory settings	
				WDMX HIDE	NO YES	Hide wireless mode WDMX reset
	UPLOAD	YES			Set parameters to send to slave	
		NO (default)				
	Tungsten Fade	On			Tungsten Fade	
		Off (default)				
	Cell Direction	Normal (default)			Pixel direction	
		Flipped				
	DMX ERROR	SAVE (default)			Hold after loss of DMX signal	
		BLACK			Blackout after loss of DMX signal	
		STATIC			Static after loss of DMX signal	
	PERFORM	STUDIO			Fan mode low speed	
		POWER			Fast rotation of fan, all power	
		LIVE (default)			Automatic rotation of fan	
	DISP KEY	On (default)			Locks display (passcode is <UP>,<DOWN>,<UP>,<DOWN>,<ENTER>)	
		Off				
	DISP TIME	ON			Display backlight always on	
		30s			Turns off display backlight after 30s/1min/2min of inactivity	
		1min (default)				
		2min				
	Color Cali	OFF			Full power mode	
		User Calibration	RED 0-255			Manual calibration mode
			GREEN 0-255			
			BLUE 0-255			
			WHITE 0-255			
			COOL 0-255			
	Factory Calibration (default)			Factory calibration mode		
NETWORK	NET SWITCH	2.XXX.XXX.XXX			Net switch off IP mode	
		10.XXX.XXX.XXX				
	UNIVERS	0-255			Packet group Settings	
	IP MODE	DEFAULT IP			Default IP	
		CUSTOM IP			Customer's IP	
	CUSTOM IP	IP ADDRESS			Customer's IP setting	
NET MASK						

	LANGUAGE	****	Chinese	Language select	
			English		
	WDMX RESET	NO (default)		Do not clear the receiver's message.	
		YES		Clear the receiver's message	
	SIGNAL	ONLY XLRDMX (default)		ONLY XLR is wire only	
		XLRDMX FIRST		XLR FIRST is wire first	
		ONLY WDMX		ONLY WDMX is wireless only	
		WDMX FIRST		WDMX FIRS is wireless first	
WDMX TO XLRDMX		WDMX TO DMX is wireless to wired			
INFO	FIXTURE HOURS			Hours of fixture use	
	LED HOURS			Hours of LED use	
	TEMPERATURE			LED temperature	
	VERSION			Software versions	
	RDM	UID	0x388Axxxxxxx		Check fixture's ID
		LABEL			Check fixture's LABEL
UPDATE SOFTWARE				Update software	
All passwords of this product are <UP>, <DOWN>,<UP>, <DOWN>, <ENTER>					

4 USING A DMX512 CONTROLLER

4.1 DMX CONTROL

SSP (13CH)	TOUR (21CH)	Value	Function
1	1	0-255	DIMMER
2	2	0-255	RED
3	3	0-255	GREEN
4	4	0-255	BLUE
	5	PRESET COLOR	
		0-10	NO FUNCTION
		11-255	PRESET COLOR (See Annex I for details)
	6	CCT	
		0-9	NO FUNCTION
		10	1800K
		25	2200K
		40	2700K
		55	3000K
		70	3200K
		85	4000K
		100	4500K
		115	5000K
		130	5600K
		145	6000K
		160	6500K
		175	7000K
		190	8000K
	205	10000K	
	255	10000K	
5	7	RGB STROBE	
		0-9	NO FUNCTION
		10-99	STROBE FROM (SLOW TO FAST ,0-25Hz)
		100-109	NO FUNCTION
		110-179	LIGHTNING STROBE
		180-189	NO FUNCTION
	190-255	RANDOM STROBE	
6	8	0-255	RGB Duration (14ms-650ms)
	9	RGB STATIC PIXEL	
		0-10	NO FUNCTION
		11-255	STATIC PIXEL (See Annex 2 for details)
	10	RGB MACROS	
		0-10	NO FUNCTION
		11-255	PIXEL EFFECT (See Annex 3 for details)
	11	0-255	AUTO SPEED ADJUSTMENT(SLOW TO FAST)

7	12	0-255	CW DIMMER
8	13	0-255	WARM WHITE
9	14	0-255	COOL WHITE
10	15	CW STROBE	
		0-9	NO FUNCTION
		10-99	STROBE FROM (SLOW TO FAST ,0-25Hz)
		100-109	NO FUNCTION
		110-179	LIGHTNING STROBE
		180-189	NO FUNCTION
		190-255	RANDOM STROBE
11	16	0-255	CW Duration (14ms-650ms)
	17	CW STATIC PIXEL	
		0-10	NO FUNCTION
		11-255	STATIC PIXEL (See Annex 4 for details)
	18	CW MACROS	
		0-10	NO FUNCTION
		11-255	PIXEL EFFECT (See Annex 5 for details)
	19	0-255	AUTO SPEED ADJUSTMENT(SLOW TO FAST)
12	20	0-255	FROST 0-100%
13	21	CONTROL (EXECUTE AFTER 3 SECONDS)	
		0-10	NO FUNCTION
		11-100	RESERVED
		101-105	STUDIO
		106-110	POWER
		111-115	LIVE
		116-120	RESERVED
		121-125	Tungsten Fade On
		126-130	Tungsten Fade Off
		131-185	RESERVED
		186-190	Cell Direction Normal
		191-195	Cell Direction Flipped
		196-200	RESERVED
		201-205	ALL RESET
		206-250	RESERVED
251-255	NO FUNCTION		

PIXEL 1 (240CH)	PIXEL 2 (159CH)	PIXEL 1 FULL (130CH)	PIXEL 2 FULL (250CH)	Value	Function
	1	1	1	0-255	DIMMER
	2	2	2	PRESET COLOR	
				0-10	NO FUNCTION
				11-255	PRESET COLOR (See Annex I for details)
	3	3	3	CCT	
				0-9	NO FUNCTION

				10	1800K
				25	2200K
				40	2700K
				55	3000K
				70	3200K
				85	4000K
				100	4500K
				115	5000K
				130	5600K
				145	6000K
				160	6500K
				175	7000K
				190	8000K
				205	10000K
				255	10000K
				RGB STROBE	
				0-9	NO FUNCTION
	4	4	4	10-99	STROBE FROM (SLOW TO FAST ,0-25Hz)
				100-109	NO FUNCTION
				110-179	LIGHTNING STROBE
				180-189	NO FUNCTION
				190-255	RANDOM STROBE
	5	5	5	0-255	RGB Duration (14ms-650ms)
	6	6	6	0-255	CW DIMMER
	7			0-255	WARM WHITE
	8			0-255	COOL WHITE
				CW STROBE	
				0-9	NO FUNCTION
	9	7	7	10-99	STROBE FROM (SLOW TO FAST ,0-25Hz)
				100-109	NO FUNCTION
				110-179	LIGHTNING STROBE
				180-189	NO FUNCTION
				190-255	RANDOM STROBE
	10	8	8	0-255	CW Duration (14ms-650ms)
				CW STATIC PIXEL	
				0-10	NO FUNCTION
	11			11-255	STATIC PIXEL (See Annex 4 for details)
				CW MACROS	
				0-10	NO FUNCTION
	12			11-255	PIXEL EFFECT (See Annex 5 for details)

	13			0-255	AUTO SPEED ADJUSTMENT(SLOW TO FAST)
	14	9	9	0-255	FROST 0-100%
	15	10	10	CONTROL (EXECUTE AFTER 3 SECONDS)	
				0-10	NO FUNCTION
				11-100	RESERVED
				101-105	STUDIO
				106-110	POWER
				111-115	LIVE
				116-120	RESERVED
				121-125	Tungsten Fade On
				126-130	Tungsten Fade Off
				131-185	RESERVED
				186-190	Cell Direction Normal
				191-195	Cell Direction Flipped
				196-200	RESERVED
				201-205	ALL RESET
				206-250	RESERVED
	251-255	NO FUNCTION			
1	16	11	11	0-255	1 RED
2	17	12	12	0-255	1 GREEN
3	18	13	13	0-255	1 BLUE
4	19	14	14	0-255	2 RED
5	20	15	15	0-255	2 GREEN
6	21	16	16	0-255	2 BLUE
7	22	17	17	0-255	3 RED
8	23	18	18	0-255	3 GREEN
9	24	19	19	0-255	3 BLUE
10	25	20	20	0-255	4 RED
11	26	21	21	0-255	4 GREEN
12	27	22	22	0-255	4 BLUE
13	28	23	23	0-255	5 RED
14	29	24	24	0-255	5 GREEN
15	30	25	25	0-255	5 BLUE
16	31	26	26	0-255	6 RED
17	32	27	27	0-255	6 GREEN
18	33	28	28	0-255	6 BLUE
19	34	29	29	0-255	7 RED
20	35	30	30	0-255	7 GREEN
21	36	31	31	0-255	7 BLUE
22	37	32	32	0-255	8 RED
23	38	33	33	0-255	8 GREEN
24	39	34	34	0-255	8 BLUE
25	40	35	35	0-255	9 RED
26	41	36	36	0-255	9 GREEN

27	42	37	37	0-255	9 BLUE
28	43	38	38	0-255	10 RED
29	44	39	39	0-255	10 GREEN
30	45	40	40	0-255	10 BLUE
31	46	41	41	0-255	11 RED
32	47	42	42	0-255	11 GREEN
33	48	43	43	0-255	11 BLUE
34	49	44	44	0-255	12 RED
35	50	45	45	0-255	12 GREEN
36	51	46	46	0-255	12 BLUE
37	52	47	47	0-255	13 RED
38	53	48	48	0-255	13 GREEN
39	54	49	49	0-255	13 BLUE
40	55	50	50	0-255	14 RED
41	56	51	51	0-255	14 GREEN
42	57	52	52	0-255	14 BLUE
43	58	53	53	0-255	15 RED
44	59	54	54	0-255	15 GREEN
45	60	55	55	0-255	15 BLUE
46	61	56	56	0-255	16 RED
47	62	57	57	0-255	16 GREEN
48	63	58	58	0-255	16 BLUE
49	64	59	59	0-255	17 RED
50	65	60	60	0-255	17 GREEN
51	66	61	61	0-255	17 BLUE
52	67	62	62	0-255	18 RED
53	68	63	63	0-255	18 GREEN
54	69	64	64	0-255	18 BLUE
55	70	65	65	0-255	19 RED
56	71	66	66	0-255	19 GREEN
57	72	67	67	0-255	19 BLUE
58	73	68	68	0-255	20 RED
59	74	69	69	0-255	20 GREEN
60	75	70	70	0-255	20 BLUE
61	76	71	71	0-255	21 RED
62	77	72	72	0-255	21 GREEN
63	78	73	73	0-255	21 BLUE
64	79	74	74	0-255	22 RED
65	80	75	75	0-255	22 GREEN
66	81	76	76	0-255	22 BLUE
67	82	77	77	0-255	23 RED
68	83	78	78	0-255	23 GREEN
69	84	79	79	0-255	23 BLUE
70	85	80	80	0-255	24 RED
71	86	81	81	0-255	24 GREEN

72	87	82	82	0-255	24 BLUE
73	88		83	0-255	25 RED
74	89		84	0-255	25 GREEN
75	90		85	0-255	25 BLUE
76	91		86	0-255	26 RED
77	92		87	0-255	26 GREEN
78	93		88	0-255	26 BLUE
79	94		89	0-255	27 RED
80	95		90	0-255	27 GREEN
81	96		91	0-255	27 BLUE
82	97		92	0-255	28 RED
83	98		93	0-255	28 GREEN
84	99		94	0-255	28 BLUE
85	100		95	0-255	29 RED
86	101		96	0-255	29 GREEN
87	102		97	0-255	29 BLUE
88	103		98	0-255	30 RED
89	104		99	0-255	30 GREEN
90	105		100	0-255	30 BLUE
91	106		101	0-255	31 RED
92	107		102	0-255	31 GREEN
93	108		103	0-255	31 BLUE
94	109		104	0-255	32 RED
95	110		105	0-255	32 GREEN
96	111		106	0-255	32 BLUE
97	112		107	0-255	33 RED
98	113		108	0-255	33 GREEN
99	114		109	0-255	33 BLUE
100	115		110	0-255	34 RED
101	116		111	0-255	34 GREEN
102	117		112	0-255	34 BLUE
103	118		113	0-255	35 RED
104	119		114	0-255	35 GREEN
105	120		115	0-255	35 BLUE
106	121		116	0-255	36 RED
107	122		117	0-255	36 GREEN
108	123		118	0-255	36 BLUE
109	124		119	0-255	37 RED
110	125		120	0-255	37 GREEN
111	126		121	0-255	37 BLUE
112	127		122	0-255	38 RED
113	128		123	0-255	38 GREEN
114	129		124	0-255	38 BLUE
115	130		125	0-255	39 RED
116	131		126	0-255	39 GREEN

117	132		127	0-255	39 BLUE
118	133		128	0-255	40 RED
119	134		129	0-255	40 GREEN
120	135		130	0-255	40 BLUE
121	136		131	0-255	41 RED
122	137		132	0-255	41 GREEN
123	138		133	0-255	41 BLUE
124	139		134	0-255	42 RED
125	140		135	0-255	42 GREEN
126	141		136	0-255	42 BLUE
127	142		137	0-255	43 RED
128	143		138	0-255	43 GREEN
129	144		139	0-255	43 BLUE
130	145		140	0-255	44 RED
131	146		141	0-255	44 GREEN
132	147		142	0-255	44 BLUE
133	148		143	0-255	45 RED
134	149		144	0-255	45 GREEN
135	150		145	0-255	45 BLUE
136	151		146	0-255	46 RED
137	152		147	0-255	46 GREEN
138	153		148	0-255	46 BLUE
139	154		149	0-255	47 RED
140	155		150	0-255	47 GREEN
141	156		151	0-255	47 BLUE
142	157		152	0-255	48 RED
143	158		153	0-255	48 GREEN
144	159		154	0-255	48 BLUE
145		83	155	0-255	1 WARM WHITE
146		84	156	0-255	1 COOL WHITE
147		85	157	0-255	2 WARM WHITE
148		86	158	0-255	2 COOL WHITE
149		87	159	0-255	3 WARM WHITE
150		88	160	0-255	3 COOL WHITE
151		89	161	0-255	4 WARM WHITE
152		90	162	0-255	4 COOL WHITE
153		91	163	0-255	5 WARM WHITE
154		92	164	0-255	5 COOL WHITE
155		93	165	0-255	6 WARM WHITE
156		94	166	0-255	6 COOL WHITE
157		95	167	0-255	7 WARM WHITE
158		96	168	0-255	7 COOL WHITE
159		97	169	0-255	8 WARM WHITE
160		98	170	0-255	8 COOL WHITE
161		99	171	0-255	9 WARM WHITE

162		100	172	0-255	9 COOL WHITE
163		101	173	0-255	10 WARM WHITE
164		102	174	0-255	10 COOL WHITE
165		103	175	0-255	11 WARM WHITE
166		104	176	0-255	11 COOL WHITE
167		105	177	0-255	12 WARM WHITE
168		106	178	0-255	12 COOL WHITE
169		107	179	0-255	13 WARM WHITE
170		108	180	0-255	13 COOL WHITE
171		109	181	0-255	14 WARM WHITE
172		110	182	0-255	14 COOL WHITE
173		111	183	0-255	15 WARM WHITE
174		112	184	0-255	15 COOL WHITE
175		113	185	0-255	16 WARM WHITE
176		114	186	0-255	16 COOL WHITE
177		115	187	0-255	17 WARM WHITE
178		116	188	0-255	17 COOL WHITE
179		117	189	0-255	18 WARM WHITE
180		118	190	0-255	18 COOL WHITE
181		119	191	0-255	19 WARM WHITE
182		120	192	0-255	19 COOL WHITE
183		121	193	0-255	20 WARM WHITE
184		122	194	0-255	20 COOL WHITE
185		123	195	0-255	21 WARM WHITE
186		124	196	0-255	21 COOL WHITE
187		125	197	0-255	22 WARM WHITE
188		126	198	0-255	22 COOL WHITE
189		127	199	0-255	23 WARM WHITE
190		128	200	0-255	23 COOL WHITE
191		129	201	0-255	24 WARM WHITE
192		130	202	0-255	24 COOL WHITE
193			203	0-255	25 WARM WHITE
194			204	0-255	25 COOL WHITE
195			205	0-255	26 WARM WHITE
196			206	0-255	26 COOL WHITE
197			207	0-255	27 WARM WHITE
198			208	0-255	27 COOL WHITE
199			209	0-255	28 WARM WHITE
200			210	0-255	28 COOL WHITE
201			211	0-255	29 WARM WHITE
202			212	0-255	29 COOL WHITE
203			213	0-255	30 WARM WHITE
204			214	0-255	30 COOL WHITE
205			215	0-255	31 WARM WHITE
206			216	0-255	31 COOL WHITE

207			217	0-255	32 WARM WHITE
208			218	0-255	32 COOL WHITE
209			219	0-255	33 WARM WHITE
210			220	0-255	33 COOL WHITE
211			221	0-255	34 WARM WHITE
212			222	0-255	34 COOL WHITE
213			223	0-255	35 WARM WHITE
214			224	0-255	35 COOL WHITE
215			225	0-255	36 WARM WHITE
216			226	0-255	36 COOL WHITE
217			227	0-255	37 WARM WHITE
218			228	0-255	37 COOL WHITE
219			229	0-255	38 WARM WHITE
220			230	0-255	38 COOL WHITE
221			231	0-255	39 WARM WHITE
222			232	0-255	39 COOL WHITE
223			233	0-255	40 WARM WHITE
224			234	0-255	40 COOL WHITE
225			235	0-255	41 WARM WHITE
226			236	0-255	41 COOL WHITE
227			237	0-255	42 WARM WHITE
228			238	0-255	42 COOL WHITE
229			239	0-255	43 WARM WHITE
230			240	0-255	43 COOL WHITE
231			241	0-255	44 WARM WHITE
232			242	0-255	44 COOL WHITE
233			243	0-255	45 WARM WHITE
234			244	0-255	45 COOL WHITE
235			245	0-255	46 WARM WHITE
236			246	0-255	46 COOL WHITE
237			247	0-255	47 WARM WHITE
238			248	0-255	47 COOL WHITE
239			249	0-255	48 WARM WHITE
240			250	0-255	48 COOL WHITE

Annex 1

PRESET COLOR	Value	Color Names	x	y	
	0-10	NO FUNCTION			
	11-15	RESERVE	Loving Amber	0.407	0.321
COLOR 1	16-20	R40	Light Salmon	0.499	0.321
COLOR 2	21-25	L24	Scarlet	0.561	0.296
COLOR 3	26-30	L164	Flame Red	0.659	0.302
	31-35	RESERVE	Easy White	0.389	0.344
	36-40	RESERVE	Warm Peach	0.448	0.353
COLOR 4	41-45	L08	Dark Salmon	0.498	0.347
COLOR 5	46-50	L25	Sunset Red	0.566	0.359
	51-55	RESERVE	Medium Bastard Amber	0.37	0.335
COLOR 6	56-60	L237	CID(To Tungsten)	0.43	0.365
COLOR 7	61-65	R321	Soft Golden Amber	0.477	0.406
COLOR 8	66-70	L652	Urban Sodium	0.535	0.399
	71-75	RESERVE	LCT Yellow(Y1)	0.34	0.363
COLOR 9	76-80	L765	LEE Yellow	0.389	0.412
COLOR 10	81-85	L513	Ice And A Slice	0.38	0.447
	86-90	RESERVE	Spring Yellow	0.41	0.502
	91-95	RESERVE	LEE Plus Green	0.324	0.388
	96-100	RESERVE	CalColor 30 Green	0.318	0.44
	101-105	RESERVE	Fern Green	0.234	0.543
COLOR 11	106-110	L90	Dark Yellow Green	0.184	0.641
	111-115	RESERVE	LEE Fluorescent3600K	0.286	0.37
COLOR 12	116-120	R92	Tuquoise	0.235	0.36
	121-125	RESERVE	Kelly Green	0.185	0.459
	126-130	RESERVE	Forest Green	0.162	0.496
	131-135	RESERVE	Cosmetic Aqua Blue	0.3	0.318
COLOR 13	136-140	L728	Steel Green	0.256	0.302
COLOR 14	141-145	L117	Steel Blue	0.223	0.278
COLOR 15	146-150	L354	Special Steel Blue	0.173	0.265
	151-155	RESERVE	Paler Lavender	0.284	0.284
COLOR 16	156-160	L501	New Colour Blue	0.246	0.249
COLOR 17	161-165	L174	Dark Steel Blue	0.204	0.205
	166-170	RESERVE	Daylight Blue	0.159	0.158
	171-175	RESERVE	Pale Lavender	0.288	0.254
	176-180	RESERVE	Surprise Pink	0.24	0.183
COLOR 18	181-185	L142	Pale Violet	0.209	0.148
	186-190	RESERVE	Perfect Lavender	0.177	0.07
	191-195	RESERVE	Light Pink	0.335	0.289
COLOR 19	196-200	L794	Pretty'n Pink	0.335	0.251
COLOR 20	201-205	L328	Follies Pink	0.335	0.18
	206-210	RESERVE	Magical Magenta	0.327	0.138
	211-215	RESERVE	Pale Rose	0.35	0.318
COLOR 21	216-220	L127	Smokey Pink	0.397	0.265
COLOR 22	221-225	L192	Flesh Pink	0.41	0.237
	226-230	RESERVE	Special Rose Pink	0.465	0.193
	231-235	RESERVE	Moroccan Pink	0.378	0.324
COLOR 23	236-240	L157	Pink	0.457	0.272
COLOR 24	241-245	R332	Cherry Rose	0.489	0.295
	246-250	RESERVE	Cool LED Bright Pink	0.57	0.263
	251-255	NO FUNCTION			

Annex 2

RGB STATIC PIXEL	
0-10	NO FUNCTION
11	1
12	2
13	3
14	4
15	5
16	6
17	7
18	8
19	9
20	10
21	11
22	12
23	13
24	14
25	15
26	16
27	17
28	18
29	19
30	20
31	21
32	22
33	23
34	24
35	25
36	26
37	27
38	28
39	29
40	30
41	31
42	32
43	33
44	34
45	35
46	36
47	37
48	38
49	39
50	40
51	41
52	42
53	43
54	44
55	45
56	46
57	47
58	48
59	1,25
60	2,26
61	3,27
62	4,28
63	5,29

64	6,30
65	7,31
66	8,32
67	9,33
68	10,34
69	11,35
70	12,36
71	13,37
72	14,38
73	15,39
74	16,40
75	17,41
76	18,42
77	19,43
78	20,44
79	21,45
80	22,46
81	23,47
82	24,48
83	1
84	1,2
85	1,2,3
86	1,2,3,4
87	1,2,3,4,5
88	1,2,3,4,5,6
89	1,2,3,4,5...7
90	1,2,3,4,5...8
91	1,2,3,4,5...9
92	1,2,3,4,5...10
93	1,2,3,4,5...11
94	1,2,3,4,5...12
95	1,2,3,4,5...13
96	1,2,3,4,5...14
97	1,2,3,4,5...15
98	1,2,3,4,5...16
99	1,2,3,4,5...17
100	1,2,3,4,5...18
101	1,2,3,4,5...19
102	1,2,3,4,5...20
103	1,2,3,4,5...21
104	1,2,3,4,5...22
105	1,2,3,4,5...23
106	1,2,3,4,5...24
107	25
108	25,26
109	25,26,27
110	25,26,27,28
111	25,26,27,28,29
112	25,26,27,28,29,30
113	25,26,27,28,29...31
114	25,26,27,28,29...32
115	25,26,27,28,29...33
116	25,26,27,28,29...34
117	25,26,27,28,29...35
118	25,26,27,28,29...36
119	25,26,27,28,29...37
120	25,26,27,28,29...38

121	25,26,27,28,29...39
122	25,26,27,28,29...40
123	25,26,27,28,29...41
124	25,26,27,28,29...42
125	25,26,27,28,29...43
126	25,26,27,28,29...44
127	25,26,27,28,29...45
128	25,26,27,28,29...46
129	25,26,27,28,29...47
130	25,26,27,28,29...48
131	1,25
132	1,2,25,26
133	1,2,3,25,26,27
134	1,2,3,4,25,26,27,28
135	1,2,3,4,5,25,26,27,28,29
136	1,2,3,4,5,6,25,26,27,28,29,30
137	1,2,3,4,5...7,25,26,27,28...31
138	1,2,3,4,5...8,25,26,27,28...32
139	1,2,3,4,5...9,25,26,27,28...33
140	1,2,3,4,5...10,25,26,27,28...34
141	1,2,3,4,5...11,25,26,27,28...35
142	1,2,3,4,5...12,25,26,27,28...36
143	1,2,3,4,5...13,25,26,27,28...37
144	1,2,3,4,5...14,25,26,27,28...38
145	1,2,3,4,5...15,25,26,27,28...39
146	1,2,3,4,5...16,25,26,27,28...40
147	1,2,3,4,5...17,25,26,27,28...41
148	1,2,3,4,5...18,25,26,27,28...42
149	1,2,3,4,5...19,25,26,27,28...43
150	1,2,3,4,5...20,25,26,27,28...44
151	1,2,3,4,5...21,25,26,27,28...45
152	1,2,3,4,5...22,25,26,27,28...46
153	1,2,3,4,5...23,25,26,27,28...47
154	1,2,3,4,5...24,25,26,27,28...48
155	1,2,25,26
156	2,3,26,27
157	3,4,27,28
158	4,5,28,29
159	5,6,29,30
160	6,7,30,31
161	7,8,31,32
162	8,9,32,33
163	9,10,33,34
164	10,11,34,35
165	11,12,35,36
166	12,13,36,37
167	13,14,37,38
168	14,15,38,39
169	15,16,39,40
170	16,17,40,41
171	17,18,41,42
172	18,19,42,43
173	19,20,43,44
174	20,21,44,45
175	21,22,45,46
176	22,23,46,47
177	23,24,47,48

178	1,3,5
179	3,5,7
180	5,7,9
181	7,9,11
182	9,11,13
183	11,13,15
184	13,15,17
185	15,17,19
186	17,19,21
187	19,21,23
188	21,23,1
189	25,27,29
190	27,29,31
191	29,31,33
192	31,33,35
193	33,35,37
194	35,37,39
195	37,39,41
196	39,41,43
197	41,43,45
198	43,45,47
199	45,47,1
200	1,24
201	2,23
202	3,22
203	4,21
204	5,20
205	6,19
206	7,18
207	8,17
208	9,16
209	10,15
210	11,14
211	12,13
212	25,48
213	26,47
214	27,46
215	28,45
216	29,44
217	30,43
218	31,42
219	32,41
220	33,40
221	34,39
222	35,38
223	36,37
224	1,24,25,48
225	2,23,26,47
226	3,22,27,46
227	4,21,28,45
228	5,20,29,44
229	6,19,30,43
230	7,18,31,42
231	8,17,32,41
232	9,16,33,40
233	10,15,34,39
234	11,14,35,38

235	12,13,36,37
236	1,2,23,24,25,26,47,48
237	3,4,21,22,27,28,45,46
238	5,6,19,20,29,30,43,44
239	7,8,17,18,31,32,41,42
240	9,10,15,16,33,34,39,40
241	11,12,13,14,35,36,37,38
242	1,3,5,7,9,11...23
243	2,4,6,8,10,12...24
244	25,27,29,31,33...47
245	26,28,30,32,34...48
246	1,3,5,7,9,11...23,25,27,29...47
247	2,4,6,8,10,12...24,26,28,30...48
248-255	NO FUNCTION

Annex 3

CW STATIC PIXEL	
0-10	NO FUNCTION
11	1
12	2
13	3
14	4
15	5
16	6
17	7
18	8
19	9
20	10
21	11
22	12
23	13
24	14
25	15
26	16
27	17
28	18
29	19
30	20
31	21
32	22
33	23
34	24
35	25
36	26
37	27
38	28
39	29
40	30
41	31
42	32
43	33
44	34
45	35
46	36

47	37
48	38
49	39
50	40
51	41
52	42
53	43
54	44
55	45
56	46
57	47
58	48
59	1,25
60	2,26
61	3,27
62	4,28
63	5,29
64	6,30
65	7,31
66	8,32
67	9,33
68	10,34
69	11,35
70	12,36
71	13,37
72	14,38
73	15,39
74	16,40
75	17,41
76	18,42
77	19,43
78	20,44
79	21,45
80	22,46
81	23,47
82	24,48
83	1
84	1,2
85	1,2,3
86	1,2,3,4
87	1,2,3,4,5
88	1,2,3,4,5,6
89	1,2,3,4,5...7
90	1,2,3,4,5...8
91	1,2,3,4,5...9
92	1,2,3,4,5...10
93	1,2,3,4,5...11
94	1,2,3,4,5...12
95	1,2,3,4,5...13
96	1,2,3,4,5...14
97	1,2,3,4,5...15
98	1,2,3,4,5...16
99	1,2,3,4,5...17
100	1,2,3,4,5...18
101	1,2,3,4,5...19
102	1,2,3,4,5...20
103	1,2,3,4,5...21

104	1,2,3,4,5...22
105	1,2,3,4,5...23
106	1,2,3,4,5...24
107	25
108	25,26
109	25,26,27
110	25,26,27,28
111	25,26,27,28,29
112	25,26,27,28,29,30
113	25,26,27,28,29...31
114	25,26,27,28,29...32
115	25,26,27,28,29...33
116	25,26,27,28,29...34
117	25,26,27,28,29...35
118	25,26,27,28,29...36
119	25,26,27,28,29...37
120	25,26,27,28,29...38
121	25,26,27,28,29...39
122	25,26,27,28,29...40
123	25,26,27,28,29...41
124	25,26,27,28,29...42
125	25,26,27,28,29...43
126	25,26,27,28,29...44
127	25,26,27,28,29...45
128	25,26,27,28,29...46
129	25,26,27,28,29...47
130	25,26,27,28,29...48
131	1,25
132	1,2,25,26
133	1,2,3,25,26,27
134	1,2,3,4,25,26,27,28
135	1,2,3,4,5,25,26,27,28,29
136	1,2,3,4,5,6,25,26,27,28,29,30
137	1,2,3,4,5...7,25,26,27,28...31
138	1,2,3,4,5...8,25,26,27,28...32
139	1,2,3,4,5...9,25,26,27,28...33
140	1,2,3,4,5...10,25,26,27,28...34
141	1,2,3,4,5...11,25,26,27,28...35
142	1,2,3,4,5...12,25,26,27,28...36
143	1,2,3,4,5...13,25,26,27,28...37
144	1,2,3,4,5...14,25,26,27,28...38
145	1,2,3,4,5...15,25,26,27,28...39
146	1,2,3,4,5...16,25,26,27,28...40
147	1,2,3,4,5...17,25,26,27,28...41
148	1,2,3,4,5...18,25,26,27,28...42
149	1,2,3,4,5...19,25,26,27,28...43
150	1,2,3,4,5...20,25,26,27,28...44
151	1,2,3,4,5...21,25,26,27,28...45
152	1,2,3,4,5...22,25,26,27,28...46
153	1,2,3,4,5...23,25,26,27,28...47
154	1,2,3,4,5...24,25,26,27,28...48
155	1,2,25,26
156	2,3,26,27
157	3,4,27,28
158	4,5,28,29
159	5,6,29,30
160	6,7,30,31

161	7,8,31,32
162	8,9,32,33
163	9,10,33,34
164	10,11,34,35
165	11,12,35,36
166	12,13,36,37
167	13,14,37,38
168	14,15,38,39
169	15,16,39,40
170	16,17,40,41
171	17,18,41,42
172	18,19,42,43
173	19,20,43,44
174	20,21,44,45
175	21,22,45,46
176	22,23,46,47
177	23,24,47,48
178	1,3,5
179	3,5,7
180	5,7,9
181	7,9,11
182	9,11,13
183	11,13,15
184	13,15,17
185	15,17,19
186	17,19,21
187	19,21,23
188	21,23,1
189	25,27,29
190	27,29,31
191	29,31,33
192	31,33,35
193	33,35,37
194	35,37,39
195	37,39,41
196	39,41,43
197	41,43,45
198	43,45,47
199	45,47,1
200	1,24
201	2,23
202	3,22
203	4,21
204	5,20
205	6,19
206	7,18
207	8,17
208	9,16
209	10,15
210	11,14
211	12,13
212	25,48
213	26,47
214	27,46
215	28,45
216	29,44
217	30,43

218	31,42
219	32,41
220	33,40
221	34,39
222	35,38
223	36,37
224	1,24,25,48
225	2,23,26,47
226	3,22,27,46
227	4,21,28,45
228	5,20,29,44
229	6,19,30,43
230	7,18,31,42
231	8,17,32,41
232	9,16,33,40
233	10,15,34,39
234	11,14,35,38
235	12,13,36,37
236	1,2,23,24,25,26,47,48
237	3,4,21,22,27,28,45,46
238	5,6,19,20,29,30,43,44
239	7,8,17,18,31,32,41,42
240	9,10,15,16,33,34,39,40
241	11,12,13,14,35,36,37,38
242	1,3,5,7,9,11...23
243	2,4,6,8,10,12...24
244	25,27,29,31,33...47
245	26,28,30,32,34...48
246	1,3,5,7,9,11...23,25,27,29...47
247	2,4,6,8,10,12...24,26,28,30...48
248-255	NO FUNCTION



— Since 1985 —

广州市雅江光电设备有限公司

Guangzhou Yajiang Photoelectric Equipment Co., Ltd.

电话/Tel : 020-86947788 邮箱/E-mail : sales@yajiang.cn

传真/Fax : 020-86943773 网址/Website : www.yajiang.cn