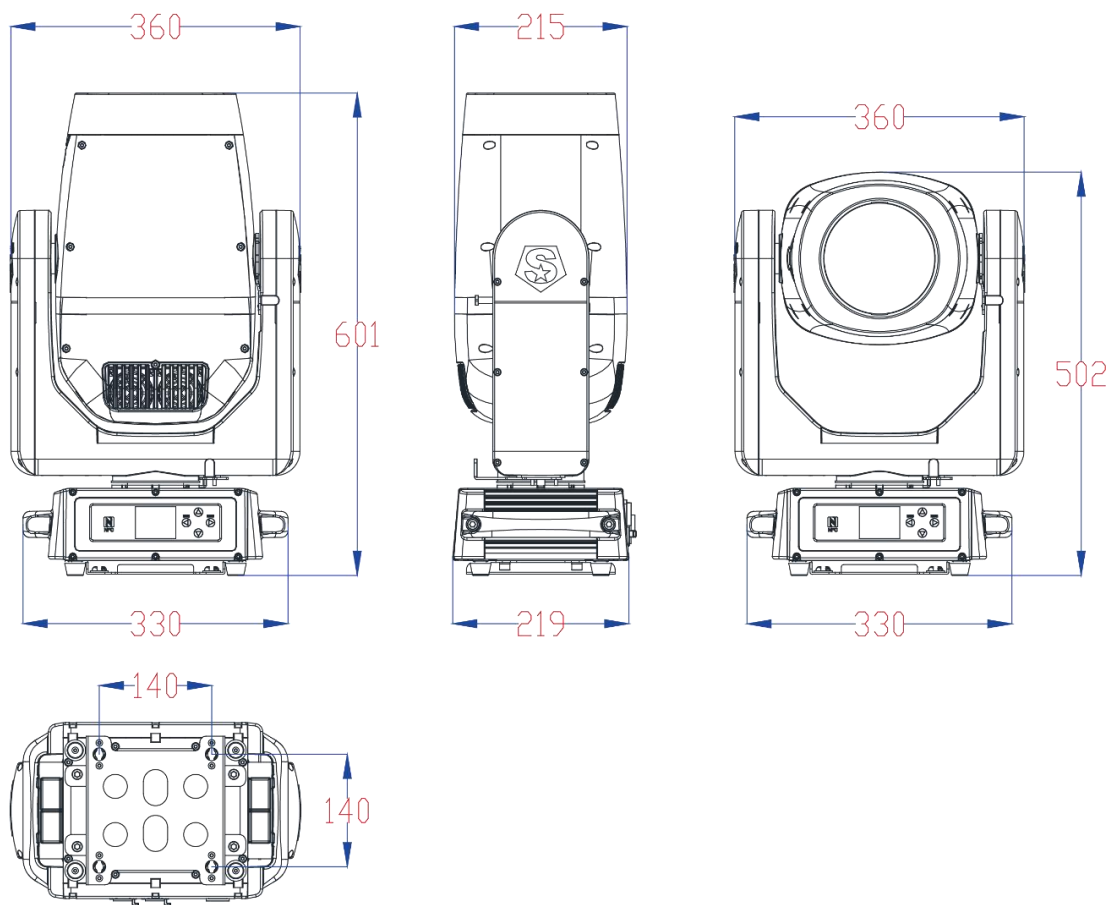


**NEPTUNE NH1-X**  
SS9465SCM

# 1 PRODUCT

## 1.1 TECHNICAL SPECIFICATIONS

Type	SS9465SCM
LED colors	1 LED(CW) 300W
Angle	3°~52°
Power	550W
Control Protocol	DMX512, RDM, NFC, W-DMX(Optional)
Voltage Range	100-240V~,50/60Hz
Input Current	110V/5A,220V/2.5A
Protection	IP66
Operation Temperature	-20℃~45℃
Dimensions	360*219*601mm
Weight	22kg



## 1.2 Safety Notes

### **IMPORTANT**

- This product must be installed by a qualified professional.
- In order to maintain this condition and to ensure a safe operation, it is absolutely necessary for the user to follow the safety instructions and warning notes
- The manufacturer will not accept liability for any resulting damages caused by the non-observance of this manual or any unauthorized modification to the device.

### **CAUTION!**

- Make sure that the available voltage is not higher than stated on the rear panel.
- Do not touch the power cables if your hands are wet.
- The earth wire must always be connected to the ground. Therefore it is essential to connect the yellow/green conductor to earth.
- Make sure that the power-cord is never crimped or damaged by sharp edges. Check the device and the power-cord from time to time. The electric connection, repairs and servicing must be carried out by a qualified employee.
- Always disconnect power input cable to completely remove power from unit when not in use or before cleaning or servicing the fixture.
- Do not switch the fixture on and off in short intervals as this would reduce the lamp's life.
- Do not touch the device's housing bare hands during its operation (housing becomes hot)! The surface of the product's casing can reach up to 70° C (158° F) during operation. Avoid contact by persons and materials. Do not install the product in a location where there is a risk of accidental contact. Allow the product to cool for at least 10 minutes before handling.
- For replacement use lamps and fuses of same type and rating only.
- Please protect the fixture and avoid destroy during transport and installation. If there is any damage to the coating, the shell may be corroded.
- When hanging lamps and lanterns, it is necessary to verify that facilities and hooks can bear at least 10 times the weight of lamps and lanterns.
- Fix the safety rope at the correct holes only. Only operate the fixture after having checked that the housing is firmly closed and all screws are tightly fastened.
- The maximum ambient temperature 45°C must never be exceeded. Do not operate the product if the ambient temperature (Ta) exceeds 45° C (115° F).
- During the initial start-up some smoke or smell may arise. This is a normal process and does not necessarily mean that the device is defective.

### **Electrical Warning**

- The light source contained in this luminaire shall only be replaced by the manufacturer or his service agent or a similar qualified person
- For replacement use lamps and fuses of same type and rating only.
- The lens has to be replaced when it is obviously damaged, so that its function is impaired, e. g. due to cracks or deep scratches!

### **Keep the product well away from flammable materials**

- Keep all combustible materials (e.g. fabric, wood, paper) at least 500 mm (20 in.) away from the product.
- Ensure that there is free and unobstructed airflow around the product. Provide a minimum

clearance of 150 mm (6 in.) around fans and air vents.

- Do not illuminate surfaces within 3 m (10 ft.) of the product.
- Do not install a fuse that has a higher rating than the one originally installed in the product. Do not bypass fuses.
- Do not stick filters, masks or other materials onto optical components.
- If the fixture seems to be abnormally hot, shows signs of melting or emits smoke, disconnect the fixture from power immediately and allow it to cool. Do not touch the fixture without heatproof safety gloves. Keep the fixture well away from combustible and flammable materials.

**NEVER LOOK DIRECTLY INTO THE LIGHT SOURCE!  
RETINA INJURY RISK - MAY INDUCE BLINDNESS!**

**Do not point the front of the fixture towards the sun or other strong light sources. The front lens focuses and concentrates light just like a magnifying glass. Strong light can cause internal damage to the fixture, melting components or starting an internal fire within seconds.**

**To avoid problems from strong light sources:**

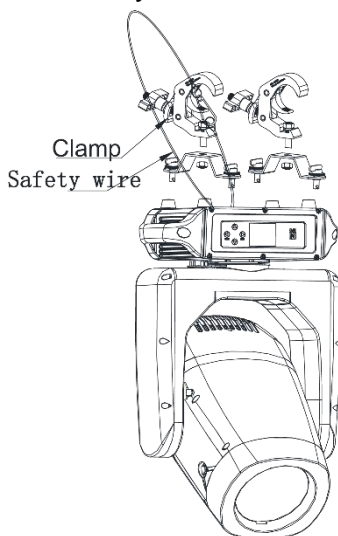
- Do not expose the front of a fixture to sunlight or any other strong light source. Avoid pointing other high-powered beam lights directly at the fixture.
- Do not focus a light beam from one lighting fixture directly towards another.
- For outdoor applications during daylight, make sure that the front face of any fixture is shielded or points away from the sun, even when not in use.
- Do not expose the product to heat (from other lighting fixtures for example).

# 2 INSTALLATION

## 2.1 MOUNTING

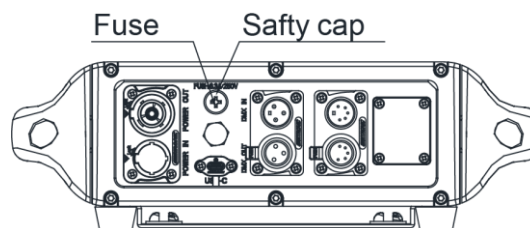
### Truss installation

- ◆ Keep all combustible materials (e.g. fabric, wood, paper) at least 500 mm (20 in.) away from the product.
- ◆ For overhead use, always install a safety cable that can hold at least 10 times the weight of the fixture.
- ◆ For overhead installation, the fixture must be always secured with a safety wire that can bear at least 10 times the weight of the fixture;
- ◆ Secure the fixture with a safety cable through the rear safety eye and truss as shown..
- ◆ Ensure that the structure (truss) to which you are attaching the fixture is secure



## 2.2 Fuse replacement

- ◆ Remove the safety cap by a screwdriver.
- ◆ Fetch the old fuse from safety cap.
- ◆ Install a new fuse.
- ◆ Install the safety cap.



## 2.3 POWER CONNECTIONS

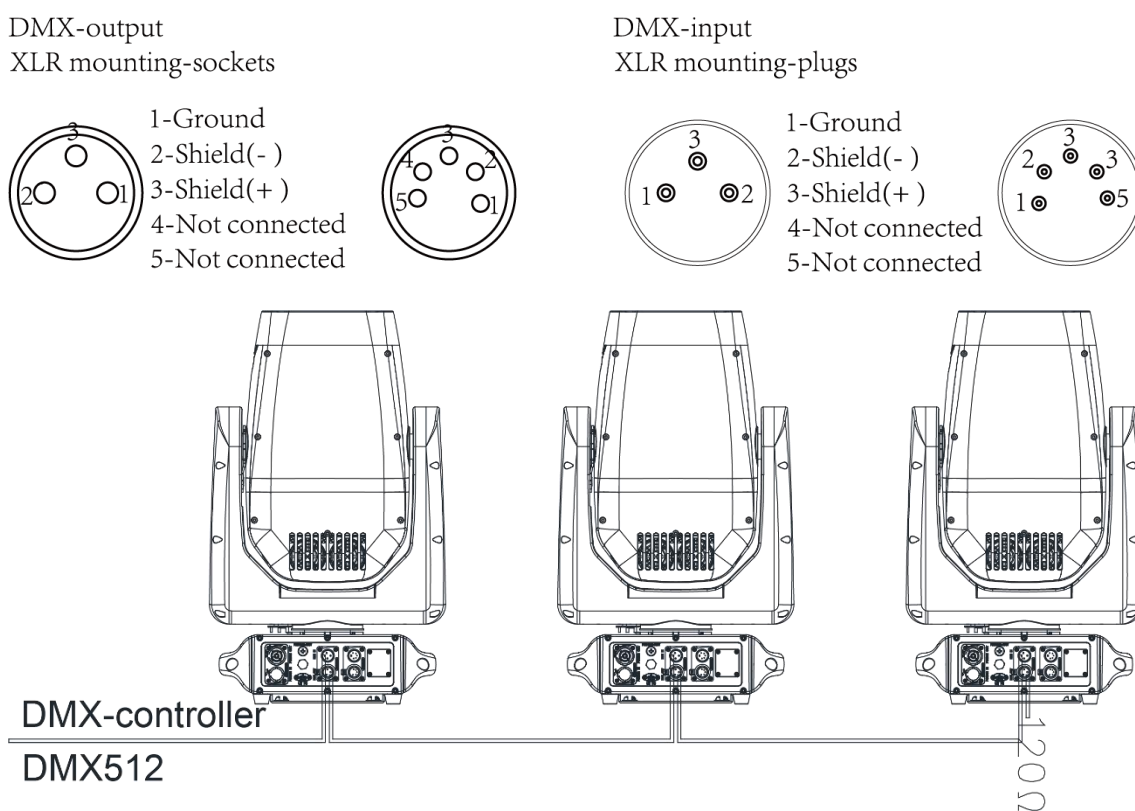
- ◆ POWER Linking: 3 units@110V; 6 units@220V.
- ◆ This product has an auto-ranging power supply that can work with an input voltage range of 100–240 VAC, 50/60 Hz.

AC Plug

Connection	Wire (U.S.)	Wire(Europe)	Screw Color
AC Live	Black	Brown	Yellow/Brass
AC Neutral	White	Blue	Silver
AC Ground	Green/Yellow	Green/Yellow	Green

## 2.4 Data network requirements

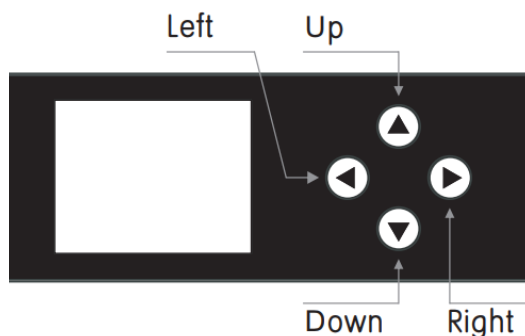
- ◆ Connect the DMX512 controller to the units in series. A DMX 512 data link is required in order to control the fixture via DMX. The fixture has 3/5-pin XLR connectors for DMX data input and output.
- ◆ Each unit has N DMX channels so the DMX Addresses should increase by increments of 1, (Nx1)+1, (Nx2)+1, (Nx3)+1...
- ◆ Any DMX address in the range from 001 to 512 may be used.
- ◆ Connect the DMX-output of the first fixture in the DMX chain with the DMX-input of the next fixture. Always connect one output with the input of the next fixture until all fixtures are connected.
- ◆ Caution: At the last fixture, the DMX-cable has to be terminated with a terminator. Solder a 120 Ω resistor between Signal (-) and Signal (+) into a 3/5-pin XLR-plug and plug it in the DMX-output of the last fixture.



# 3 FUNCTIONS AND SETTINGS

## 3.1 DISPLAY OPERATION

- ◆ MENU: Used to access the menu or to return a previous menu option;
- ◆ ENTER: Used to select and store the current menu or confirm the current function value or option within a menu;
- ◆ UP: Navigates downwards through the menu list and increases the numeric value when in a function;
- ◆ DOWN: Navigates upwards through the menu list and decreases the numeric value when in a function;
- ◆ Lock screen password: Long press 5s Left, Input after the screen is bright - UP/DOWN/UP/DOWN



## 3.2 Menu Map

ADDRESS	001 – 512(Default 001)		DMX address setting
PERSON	BASIC		Use the menu to select desired channel mode
	STANDARD (Default)		
	EXTEND		
RUNMODE	DMX512 (Default)		Select Signal
	AUTO		Default: DMX512
	CUSTOM1		CUSTOM1-2 Set up get into EDIT MENU edit
	CUSTOM2		
OPTION	PAN INVERT	OFF (Default)	PAN moving direction selection
		ON	
	TILT INVERT	OFF (Default)	TILT moving direction selection
		ON	
	PAN DEGREE	630	PAN moving degree selection
		540(Default)	
	PERFORM	STUDIO	Fan mode low speed
		POWER	Fast rotation of fan, all power
		LIVE (Default)	Automatic rotation of fan
	BLACKOUT	OFF (Default)	Select OFF blackout without delay
		ON	Select ON Blackout delay 3s
	SUN	ON (Default)	Turn the fixtures Head to earth
	PROTECTION	OFF	
	DIMMER MODE	Halogen (Default)	Dimming speed LED (fast) to Halogen (slow);
LED			

	DIMMER CURVE	LINEAR			Sets the Dimmer curve
		SQUARE LAW (Default)			
		INV. SQUARE LAW			
		S-CURVE			
	LED PWM	1200Hz (Default)			Sets the PWM frequency
		2400Hz			
		4000Hz			
		6000Hz			
		25000Hz			
	NO DMX MODE	FREEZE (Default)			Hold after loss of DMX signal
		BLACKOUT			Blackout after loss of DMX signal
	DISPLAY TIME	On			Display backlight always on
		30s			Turns off display backlight after 30s/1min /2min of inactivity
		1min (Default)			
		2min			
	DISPLAY LOCK	OFF			Locks display (passcode is <UP>, <DOWN>,<UP>, <DOWN>, <ENTER>)
		ON (Default)			
	LOAD PARA	OFF			Upload data
		NO			Not upload data
	SETTING	RECOVERY	****		Restore default factory settings.
		CLEAN EDIT1	****		Clean customer self-editing scene 1
		CLEAN EDIT2	****		Clean customer self-editing scene 2
		WDMX HIDE	YES		Hide wireless mode WDMX reset and signal hide and the default is wired mode only
			NO		
	PT ENCODER	OFF			XY Encoder switch.
		ON			OFF is close; ON is open.
	LANGUAGE	****	Chinese		Language
ENGLISH					
WDMX RESET	YES			Clear the receiver's message	
	NO			Do not clear the receiver's message	
SIGNAL	ONLY XLRDMX			ONLY XLR is wire only	
	XLRDMX FIRST			XLR FIRST is wire first	
	ONLY WDMX			ONLY WDMX is wireless only	
	WDMX FIRST			WDMX FIRS is wireless first	
	WDMX TO XLRDMX			WDMX TO DMX is wireless to wired	
EDIT	EDIT 1-2	STEP 1-30	PAN	0-255	Edit the custom programs1-30 Select play 【EDIT 1】 in RUNMOEDE CUSTOM 1; Select play 【EDIT 2】 in RUNMOEDE CUSTOM 2
			TILT	0-255	
			PT SPEED	0-255	
			CMY C	0-255	
			CMY M	0-255	
			CMY Y	0-255	
			COLOR	0-255	
			ROTA.GOBO	0-255	
			GOBO.ROTA	0-255	
			FIXED GOBO	0-255	

			PRISM 1	0-255	
			PRISM 2	0-255	
			F/M COLOR	0-255	
			ZOOM	0-255	
			FOCUS	0-255	
			DIMMER	0-255	
			STROBE	0-25	
			TIME	0-255	
			USE	YES/NO	Select YES to run the steps user need.
MANUAL	Auto Test				Auto Test channel
	CHANNEL	PAN	0-255	Manual control channel	
		TILT	0-255		
		PT SPEED	0-255		
		CMY C	0-255		
		CMY M	0-255		
		CMY Y	0-255		
		COLOR	0-255		
		ROTA.GOBO	0-255		
		GOBO.ROTA	0-255		
		FIXED GOBO	0-255		
		PRISM 1	0-255		
		PRISM 2	0-255		
		F/M COLOR	0-255		
		ZOOM	0-255		
		FOCUS	0-255		
	DIMMER	0-255			
	STROBE	0-25			
	DEBUG HIDE	YES		Factory testing mode. All stepper motors are not controlled by signal, It only works again after the reset.	
		NO			
RESET	ALL RESET		Select Yes/No to carry out all reset		
	XY RESET		Select Yes/No to carry out P/T reset		
	COLOR SYS		Color/CMYK reset		
	FOCUS\ZOOM RESET		Focus/Zoom reset		
	GOBO SYS		GOBO reset		
INFO	FIXTURE HOURS		Hours of fixture use		
	LED USE HOURS		LED use time		
	TEMPERATURE		LED temperature		
	VERSION		Software versions		
	RDM	UID	0x388Axxxxxxx	Check fixture's ID	
		LABEL		Check fixture's LABEL	
	SYSTEM ERROR	MEMORY IC		Memory IC	
		ANGLESENSOR		Angle Sensor	
		PAN SENSOR		Pan Sensor	
PAN ENCODER		Pan Encoder			
PAN DRIVEIC		Pan Drive IC			

		TILT SENSOR		Tilt Sensor
		TILT ENCODER		Tilt Encoder
		TILT DRIVEIC		Tilt Drive IC
		TEMPERATURE		Temperature
		CMY_C RESET		CMY C Reset
		CMY_M RESET		CMY M Reset
		CMY_Y RESET		CMY Y Reset
		COLOR RESET		Color Reset
		GOBO RESET		Gobo Reset
		RGOBO RESET		Rotate Gobo Reset
		FIXED GOBO		FIXED GOBO reset
		PRISM 1 RESET		PRISM 1 Reset
		PRISM 2 RESET		PRISM 2 Reset
		F/M-COLOR RESET		Prism Reset
		ZOOM RESET		ZOOM Reset
		FOCUS RESET		FOCUS Reset
SERVICE	****	PAN	±127	Pan position fine adjustment
		TILT	±127	Tilt position fine adjustment
		CMY-C	±127	CMY-C position fine adjustment
		CMY-M	±127	CMY-M position fine adjustment
		CMY-Y	±127	CMY-Y position fine adjustment
		COLOR	±127	CTO position fine adjustment
		ROTA. GOBO	±127	Rotate Gobo position fine adjustment
		GOBO.ROTA	±127	Self-rotation position fine adjustment
		FIXED GOBO	±127	Fixed Gobo position fine adjustment
		PRISM 1	±127	Prism 1 position fine adjustment
		PRISM 2	±127	Prism 2 position fine adjustment
		F/M-COLOR	±127	F/M-COLOR position fine adjustment
		ZOOM	±127	Zoom position fine adjustment
		FOCUS	±127	Focus position fine adjustment
		UPDATE SOFTWARE		
All passwords of this product are <UP>, <DOWN>,<UP>, <DOWN>, <ENTER>				

# 4 USING A DMX512 CONTROLLER

## 4.1 DMX CONTROL

BASIC (22CH)	STANDARD (26CH)	EXTEND (29CH)	VALUE	Functions
1	1	1	000-255	PAN
-	2	2	000-255	PAN FINE
2	3	3	000-255	TILT
-	4	4	000-255	TILT FINE
3	5	5	000-255	PT Speed
4	6	6	<b>PAN Motor continuous rotation</b>	
			0-63	stop rotation by spinout
			64-127	stop rotation by shortcut
			128-189	Forwards Pan rotation from fast to slow
			190-193	No rotation
			194-255	Backwards Pan rotation from slow to fast
5	7	7	000-255	CYAN
6	8	8	000-255	MAGENTA
7	9	9	000-255	YELLOW
8	10	10	<b>COLOUR MACRO</b>	
			000-010	No Function
			11-20	L106
			21-30	L194
			31-40	L019
			41-50	R08
			51-60	L213
			61-70	R80
			71-80	L202
			81-90	L328
			91-100	R3314
			101-110	L101
			111-120	L768
			121-128	No Function
			129-147	CYAN 100% / MAGENTA UP / YELLOW 0%
			148-166	CYAN DOWN / MAGENTA 100% / YELLOW 0%
			167-185	CYAN 0% / MAGENTA 100% / YELLOW UP
			186-204	CYAN 0% / MAGENTA DOWN / YELLOW 100%
205-223	CYAN UP / MAGENTA 0% / YELLOW 100%			
224-242	CYAN 100% /MAGENTA 0%/YELLOW DOWN			
243-255	CYAN 100%/MAGENTA UP/YELLOW 0%			
9	11	11	000-255	CMY SPEED(SPEED 100%->1)

10	12	12	<b>COLOR WHEEL 8+1</b>	
			000-007	WHITE
			008-014	COLOR 1
			015-021	COLOR 2
			022-028	COLOR 3
			029-035	COLOR 4
			036-042	COLOR 5
			043-049	COLOR 6
			050-056	COLOR 7
			057-063	COLOR 8
			064-191	COLOR WHELL1 0-360°
			192-222	COLOR WHELL1 RAINBOW EFFECT(SPEED 100%->1)
			223-224	STOP
			225-255	COLOR WHELL1 RAINBOW EFFECT(SPEED 1->100%)
-	-	13	000-255	COLOR WHEEL FINE
11	13	14	<b>ROTATING GOBO 7+1</b>	
			000-010	ROTATING WHITE
			011-018	ROTATING GOBO 1
			019-026	ROTATING GOBO 2
			027-034	ROTATING GOBO 3
			035-042	ROTATING GOBO 4
			043-050	ROTATING GOBO 5
			051-058	ROTATING GOBO 6
			059-066	ROTATING GOBO 7
			067-074	ROTATING GOBO 1 SHAKE (SPEED 1 → 100%)
			075-082	ROTATING GOBO 2 SHAKE (SPEED 1 → 100%)
			083-090	ROTATING GOBO 3 SHAKE (SPEED 1 → 100%)
			091-098	ROTATING GOBO 4 SHAKE (SPEED 1 → 100%)
			099-106	ROTATING GOBO 5 SHAKE (SPEED 1 → 100%)
			107-114	ROTATING GOBO 6 SHAKE (SPEED 1 → 100%)
			115-122	ROTATING GOBO 7 SHAKE (SPEED 1 → 100%)
			123-127	WHITE
			128-190	STATIC GOBO POSITIVE WATER EFFECT (SPEED 100 → 1%)
			191-192	STOP WATER EFFECT
193-255	ROTATING GOBO FLOWING WATER EFFECT (SPEED 1 → 100%)			
12	14	15	<b>GOBO ROTATING</b>	
			000-120	ROTATING GOBO ANGLE ADJUSTMENT (0 → 360°)
			121-125	STOP
			126-165	ROTATING GOBO SHAKE (SPEED 1 → 100%)

			166-170	STOP
			171-210	ROTATING GOBO POSITIVE ROTATION (SPEED 100% → 1)
			211-215	STOP
			216-255	ROTATING GOBO REVERSE ROTATION (SPEED 1 → 100%)
-	15	16	000-255	GOBO ROTATING FINE
13	16	17	<b>FIXED GOBO WHEEL 12+1</b>	
			000-010	WHITE
			011-014	FIXED GOBO 1
			015-018	FIXED GOBO 2
			019-022	FIXED GOBO 3
			023-026	FIXED GOBO 4
			027-030	FIXED GOBO 5
			031-034	FIXED GOBO 6
			035-038	FIXED GOBO 7
			039-042	FIXED GOBO 8
			043-046	FIXED GOBO 9
			047-050	FIXED GOBO 10
			051-054	FIXED GOBO 11
			055-058	FIXED GOBO 12
			059-063	FIXED GOBO 1 SHAKE (SPEED 1 → 100%)
			064-068	FIXED GOBO 2 SHAKE (SPEED 1 → 100%)
			069-073	FIXED GOBO 3 SHAKE (SPEED 1 → 100%)
			074-078	FIXED GOBO 4 SHAKE (SPEED 1 → 100%)
			079-083	FIXED GOBO 5 SHAKE (SPEED 1 → 100%)
			084-088	FIXED GOBO 6 SHAKE (SPEED 1 → 100%)
			089-093	FIXED GOBO 7 SHAKE (SPEED 1 → 100%)
			094-098	FIXED GOBO 8 SHAKE (SPEED 1 → 100%)
			099-103	FIXED GOBO 9 SHAKE (SPEED 1 → 100%)
			104-108	FIXED GOBO 10 SHAKE (SPEED 1 → 100%)
			109-113	FIXED GOBO 11 SHAKE (SPEED 1 → 100%)
			114-118	FIXED GOBO 12 SHAKE (SPEED 1 → 100%)
119-127	WHITE			
128-190	STATIC GOBO JUMPING WATER EFFECT (SPEED 100 → 1%)			
191-192	STOP WATER EFFECT			
193-255	STATIC GOBO FLOWING WATER EFFECT (SPEED 1 → 100%)			
14	17	18	<b>PRISM LINEAR 6</b>	
			000-010	WHITE

			011-145	PRISM INSERT AND ADJUST THE ANGLE (0 → 360°)
			146-150	STOP
			151-200	PRISM INSERT AND POSITIVE ROTATION (SPEED 100% → 1)
			201-205	STOP ROTATION
			206-255	PRISM INSERT AND REVERSE ROTATION (SPEED 1 → 100%)
15	18	19	<b>PRISM ROUND 8</b>	
			000-010	WHITE
			011-145	PRISM INSERT AND ADJUST THE ANGLE (0 → 360°)
			146-150	STOP
			151-200	PRISM INSERT AND POSITIVE ROTATION (SPEED 100% → 1)
			201-205	STOP ROTATION
16	19	20	<b>FROST/MULTI-COLOR</b>	
			000-063	OPEN
			064-127	FROST
			128-255	MULTI-COLOR
17	20	21	000-255	ZOOM
-	-	22	000-255	ZOOM FINE
18	21	23	000-255	FOCUS
-	-	23	000-255	FOCUS FINE
19	22	25	<b>AUTO FOCUS</b>	
			000-012	NO FUNCTION
			013-039	3 METER
			040-066	5 METER
			067-093	7 METER
			094-120	9 METER
			121-147	11 METER
			148-174	13 METER
			175-201	15 METER
202-228	17 METER			
229-255	19 METER			
20	23	26	000-255	DIMMER
-	24	27	000-255	DIMMER FINE
21	25	28	<b>STROBE</b>	
			000-009	NO FUNCTION
			010-099	STROBE ( FROM SLOW TO FAST )

			100-109	NO FUNCTION
			110-179	LIGHTNING STROBE
			180-189	NO FUNCTION
			190-255	RANDOM STROBE
			<b>CONTROL CHANNEL</b>	
			0-10	NO FUNCTION
			11-15	PAN/TILT BLACK ACTIVATED
			16-20	PAN/TILT BLACK DEACTIVATED
			21-25	PAN INVERT
			26-30	TILT INVERT
			31-35	PAN/TILT INVERT OFF
			36-40	PAN DEGREE 630
			41-45	PAN DEGREE 540
			46-50	Sun Protection On
			51-55	Sun Protection Off
			56-100	RESERVED
			101-105	STUDIO
			106-110	POWER
			111-115	LIVE
			116-130	RESERVED
22	26	29	131-135	DIMMER SPEED Halogen
			136-140	DIMMER SPEED LED
			141-145	DIMMER CURVE LINEAR
			146-150	DIMMER CURVE SQUARE LAW
			151-155	DIMMER CURVE INV. SQUARE LAW
			156-160	DIMMER CURVE S-CURVE
			161-165	1200Hz
			166-170	2400Hz
			171-175	4000Hz
			176-180	6000Hz
			181-185	25000Hz
			186-200	RESERVED
			201-205	ALL RESET
			206-210	XY RESET
			211-215	COLOR\GOBO SYSTEM
			216-220	FOCUS\ZOOM RESET
			221-255	NO FUNCTION



Since 1985

## 广州市雅江光电设备有限公司

Guangzhou Yajiang Photoelectric Equipment Co., Ltd.

电话/Tel : 020-86947788 邮箱/E-mail : sales@yajiang.cn

传真/Fax : 020-86943773 网址/Website : www.yajiang.cn